

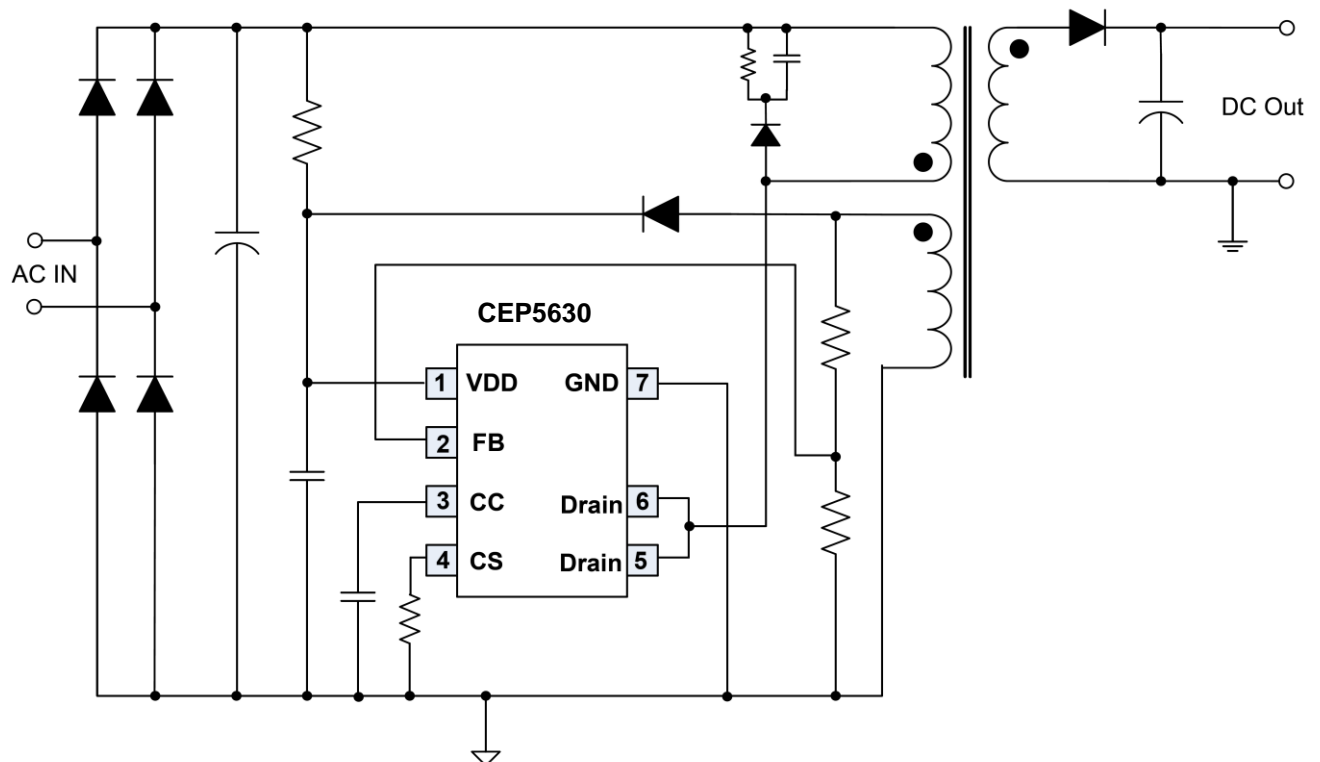
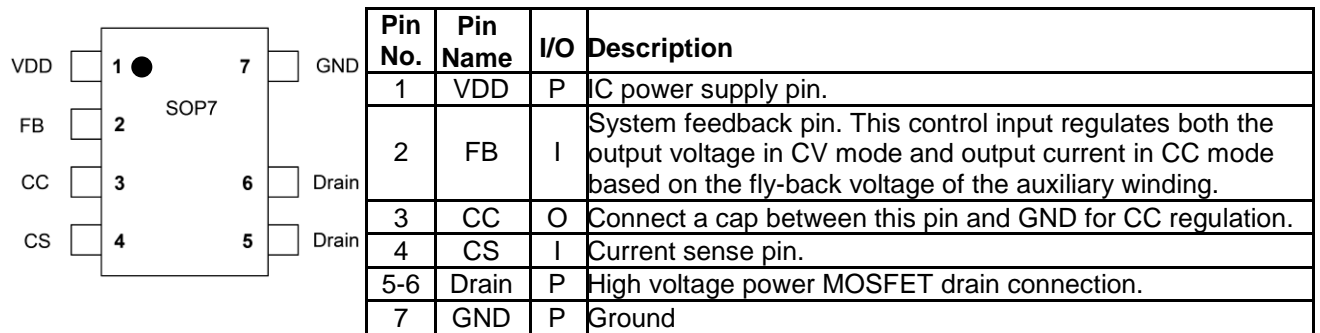
FEATURES

- Meet EPS Level 6
- Built-in 650V Power MOSFET
- Proprietary Cable Drop Compensation
- Less than 70mW Standby Power
- $\pm 5\%$ CC and CV Precision
- Multi-Mode Control
- Cycle-by-Cycle Current Limiting
- Leading Edge Blanking (LEB)
- Proprietary Super-QR/PSR (Quasi-Resonant & Primary Side Regulation) Control for High Efficiency and Low EMI
- Max. Frequency Clamping to Limit Power MOSFET Vds Spike @ Output Short Circuit
- Soft Start
- Output Over Voltage Protection
- VDD UVLO, OVP & Clamp

APPLICATIONS

- Replaces linear transformer
- Replaces RCC SMPS
- AC/DC LED lighting
- Battery chargers for cellular phones, cordless phones, PDA, digital cameras, etc

PACKAGE and SIMPLIFIED APPLICATION DIAGRAM



■ GENERAL DESCRIPTION

CEP5630 is a high performance, highly integrated QR (Quasi Resonant Mode) and Primary Side Regulation (PSR) power switch for offline small power converter applications.

CEP5630 has proprietary super-QR/PSR control for high efficiency and low EMI, which can ensure system to meet EPS Level 6 energy standard. The IC also has built-in cable drop compensation function to achieve excellent CV performance.

CEP5630 uses Multi Mode Control to improve efficiency and reliability and to decrease audio noise energy @ light loadings. CEP5630 also

integrates the function of “Max. Frequency Clamping @ Output Short Circuit” to limit power MOSFET Vds spike when output short circuits occurs.

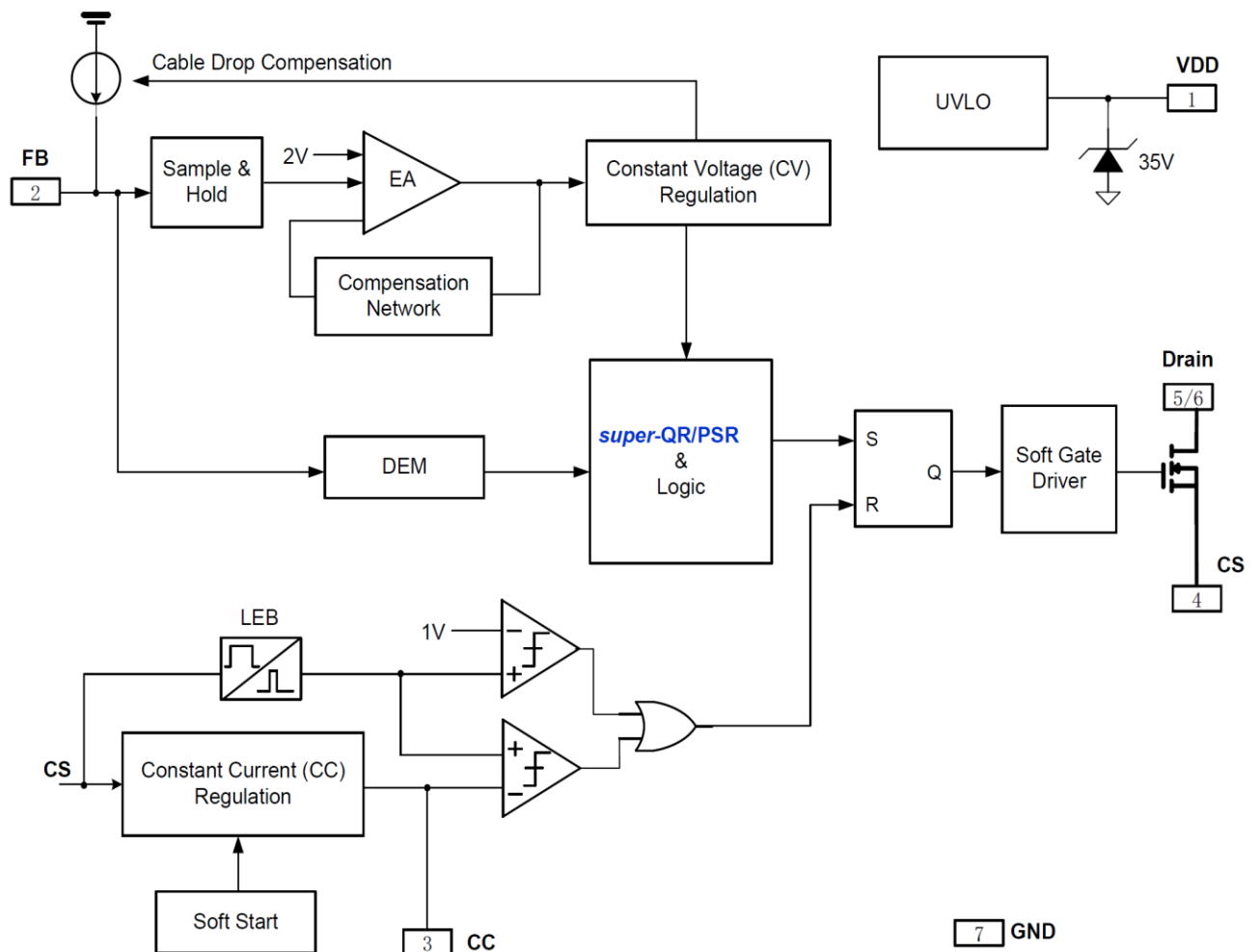
CEP5630 integrates functions and protections of FB Short Protection, Under Voltage Lockout (UVLO), VDD Over Voltage Protection (VDD OVP), Output Over Voltage Protection (Output OVP), Soft Start, Cycle-by-cycle Current Limiting (OCP), Pin Floating Protection, VDD Clamping.

CEP5630 is available in SOP7 package.

■ Ordering Information

Part Number	Top Mark	Package	Tape & Reel
CEP5630SP7	C5630 YYWW XX	SOP7	YES

■ Block Diagram



■ **Output Power Table**(Note 1)

Part Number	230VAC ± 15%(Note 2)	85-265VAC
	Adapter(Note 3)	Adapter(Note 3)
CEP5630SP7	17W	13W

■ **Absolute Maximum Ratings** (Note 4)

Parameter		Value	Unit
VDD DC Supply Voltage		35	V
VDD DC Clamp Current		10	mA
Drain pin		-0.3 to 650	V
CC, CS voltage range		-0.3 to 7	V
FB voltage range		-0.7 to 7	V
Package Thermal Resistance (SOP-7)	θ_{ja}	150	°C/W
	Ψ_{jt}	34	
Maximum Junction Temperature		150	°C
Operating Temperature Range		-40 to 85	°C
Storage Temperature Range		-65 to 150	°C
Lead Temperature (Soldering, 10sec.)		260	°C
ESD Capability, HBM (Human Body Model)		3	kV
ESD Capability, MM (Machine Model)		250	V

■ **Recommended Operation Conditions** (Note 5)

Parameter	Value	Unit
Supply Voltage, VDD	10 to 30	V
Operating Ambient Temperature	-40 to 85	°C
Maximum Switching Frequency	120K	Hz

Note 1: The Max. output power is limited by junction temperature

Note 2: 230VAC or 100/115VAC with doublers

Note 3: Typical continuous power in a non-ventilated enclosed adapter with sufficient drain pattern as a heat sink at 50 °C ambient.

Note 4: Stresses beyond those listed under “Absolute Maximum Ratings” may cause permanent damage to the device. These are stress ratings only, and functional operation of the device at these or any other conditions beyond those indicated in the operational sections of the specifications is not implied. Exposure to absolute maximum rating conditions for extended periods may affect device reliability.

Note 5: The device is not guaranteed to function outside its operating conditions.

■ ELECTRICAL CHARACTERISTICS

(TA = 25°C, VDD=16V, if not otherwise noted)

Symbol	Parameter	Test Conditions	Min	Typ	Max	Unit
Supply Voltage (VDD) Section						
I_Startup	VDD Start up Current	VDD =UVLO(ON)-1V		2	20	uA
I_VDD_Op	Operation Current	VFB=1V, VDD=20V		1	1.5	mA
UVLO(OFF)	VDD Under Voltage Lockout Exit (Startup)		19	20.5	22	V
UVLO(ON)	VDD Under Voltage Lockout Enter		8.5	9.5	10.5	V
VDD_OVP	VDD Over Voltage Protection		31	33	35	V
VDD_Clamp	VDD Zener Clamp Voltage	I(VDD) = 7 mA	33	35	37	V
Feedback Input Section(FB Pin)						
VFB_EA_Ref	Internal Error Amplifier(EA) reference input		1.97	2.0	2.03	V
VFB_OVP	Output over voltage protection threshold			2.4		V
VFB_Short	Output Short Circuit Threshold			0.65		V
FClamp_Short	Output Short Circuit Frequency Clamp			40		KHz
VFB_DEM	Demagnetization comparator threshold			75		mV
Tmin_OFF	Minimum OFF time	(Note 6)		2		uSec
Tmax_OFF	Maximum OFF time	(Note 6)		3		mSec
ICable_max	Max Cable compensation current			40		uA
Current Sense Input Section (CS Pin)						
T_blanking	CS Input Leading Edge Blanking Time			500		nSec
TD_OC	Over Current Detection and Control Delay			100		nSec
V_CS_max	Max CS pin voltage			1		V
Constant Current Section (CC Pin)						
V_CC_ref	Internal CC reference		490	500	510	mV
Power MOSFET Section						
BVdss	Power MOSFET Drain Source Breakdown Voltage		650			V
Rdson	Static Drain-Source On Resistance	I(Drain)=2A		2.6	3	Ω
Idss	Zero Gate Voltage Drain Current				1	uA

Note 6. Guaranteed by design.

■ OPERATION DESCRIPTION

CEP5630 is a high performance, multi-mode controlled, highly integrated QR (Quasi Resonant) Primary Side Regulation (PSR) power switch with built-in fast dynamic response control. The built-in high precision CV/CC control with high level protection features make it very suitable for offline small power converter applications.

➤ Startup Current and Startup Control

Startup current of CEP5630 is designed to be very low (typically 2uA) so that VDD could be charged up above UVLO(OFF) threshold level and device starts up quickly. A large value startup resistor can therefore be used to minimize the power loss yet reliable startup in application.

➤ Operating Current

The operating current in CEP5630 is as small as 1mA (typical). The small operating current results in higher efficiency and reduces the VDD hold-up capacitance requirement..

➤ Soft Start

CEP5630 features an internal soft start that slowly increases the threshold of cycle-by-cycle current limiting comparator during startup sequence. It reduces the stress on the secondary diode during startup. Every startup process is followed by a soft start activation.

➤ super-QR/PSR Control

CEP5630 uses a proprietary super-QR/PSR control for high efficiency and low EMI. The IC works in Quasi-Resonant (QR) mode in Constant Current (CC) and Constant Voltage (CV) mode. In this way, the efficiency is boosted and the EMI is reduced greatly. The IC can easily meet EPS level 6 standard.

➤ Constant Current (CC) Regulation

CEP5630 can accurately control the output current by the internal current feedback control loop. The output mean current in constant current (CC) mode can be approximately expressed as:

$$I_{CC}(\text{mA}) = \frac{N}{2} \times \frac{500(\text{mV})}{R_{cs}(\Omega)}$$

In the equation above,
 N----The turn ratio of primary side winding to secondary side winding.
 Rcs--- the sensing resistor connected between the MOSFET source to GND.

➤ Proprietary Cable Voltage Drop Compensation in CV Mode

When it comes to cellular phone charger applications, the battery is located at the end of cable, which causes typically several percentage

of voltage drop on the actual battery voltage. CEP5630 has a proprietary built-in cable voltage drop compensation block which can provide a constant output voltage at the end of the cable over the entire load range in CV mode.

➤ Leading Edge Blanking (LEB)

Each time the power MOSFET is switched on, a turn-on spike occurs across the sensing resistor. To avoid premature termination of the switching pulse, an internal leading edge blanking circuit is built in. During this blanking period (500ns, typical), the cycle-by-cycle current limiting comparator is disabled and cannot switch off the gate driver. Thus, external RC filter with a small time constant is enough for current sensing.

➤ Precision CV/CC Performance

In CEP5630, the parameters are trimmed to tight range, which makes the system CC/CV to have less than 5% variation.

➤ Auto Recovery Mode Protection

As shown in Fig.1, once a fault condition is detected, switching will stop. This will cause VDD to fall because no power is delivered from the auxiliary winding. When VDD falls to UVLO(on) (typical 9.5V), the protection is reset and the operating current reduces to the startup current, which causes VDD to rise, as shown in Fig.1.

However, if the fault still exists, the system will experience the above mentioned process. If the fault has gone, the system resumes normal operation. In this manner, the auto restart can alternatively enable and disable the switching until the fault condition is disappeared.

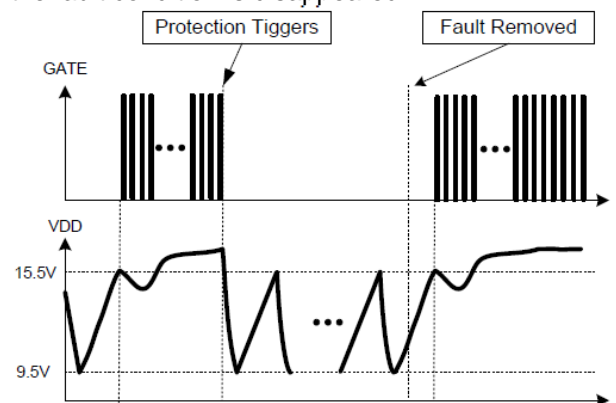


Fig.1

➤ Minimum and Maximum OFF Time

In CEP5630, a minimum OFF time (typically 2us) is implemented to suppress ringing when GATE is off. The minimum OFF time is necessary in applications where the transformer has a large leakage inductance, particularly at low output voltages or startup. The maximum OFF time in CEP5630 is typically 3ms, which provides a large

range for frequency reduction. In this way, a low standby power of 70mW can be achieved.

➤ Smart Output Short Protection

The output short circuit protection of conventional PSR system is based on the coupling between auxiliary winding and secondary winding. When output is short, the auxiliary winding cannot provide enough energy to the IC any more. In this way, the system will enter into auto-recovery mode protection. However, the IC may be wrongly supplied if the leakage inductance of the primary winding is large enough.

In CEP5630, if output short circuit occurs, the IC will detect the situation and enter into auto-recovery mode protection.

➤ VDD OVP(Over Voltage Protection)

VDD OVP (Over Voltage Protection) is implemented in CEP5630 and it is a protection of auto-recovery mode.

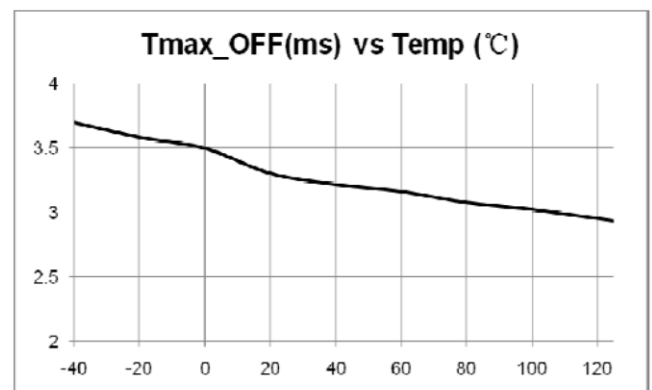
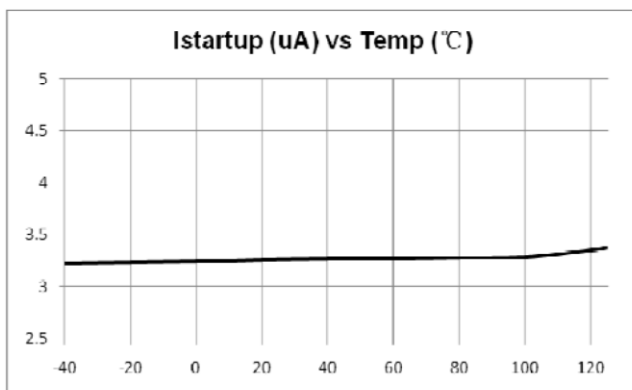
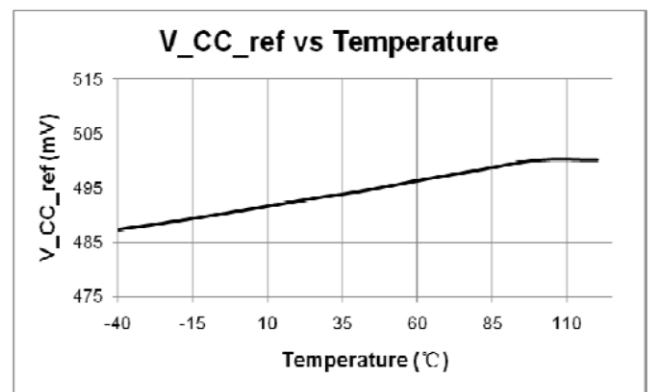
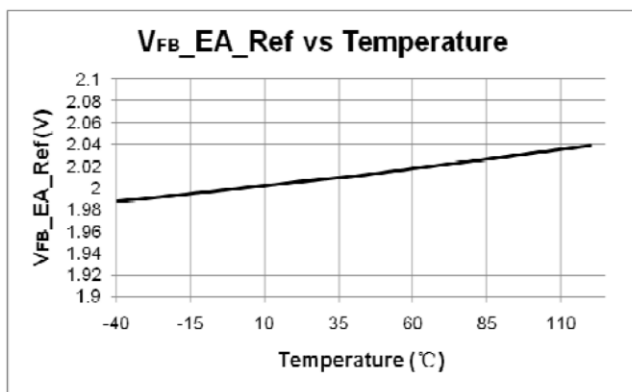
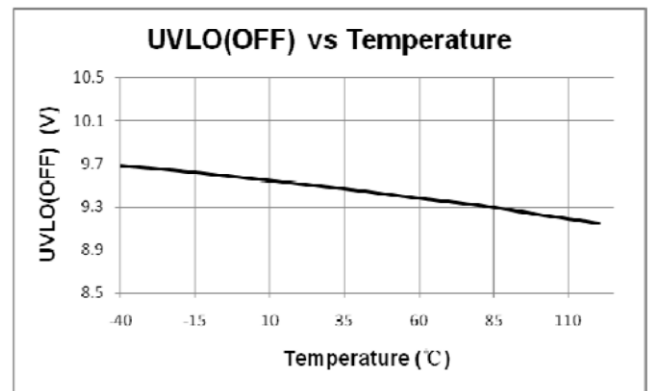
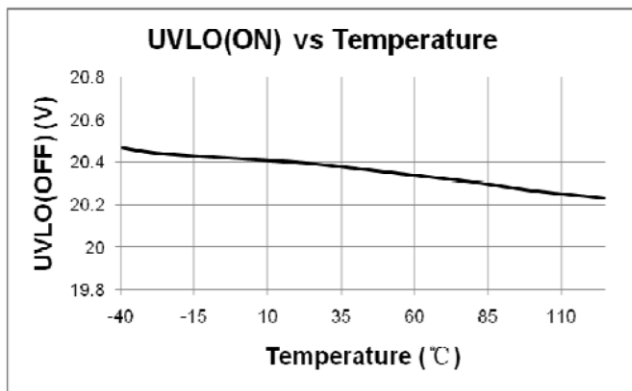
➤ Pin Floating Protection

In CEP5630, if pin floating situation occurs, the IC is designed to have no damage to system.

➤ Soft Gate Drive

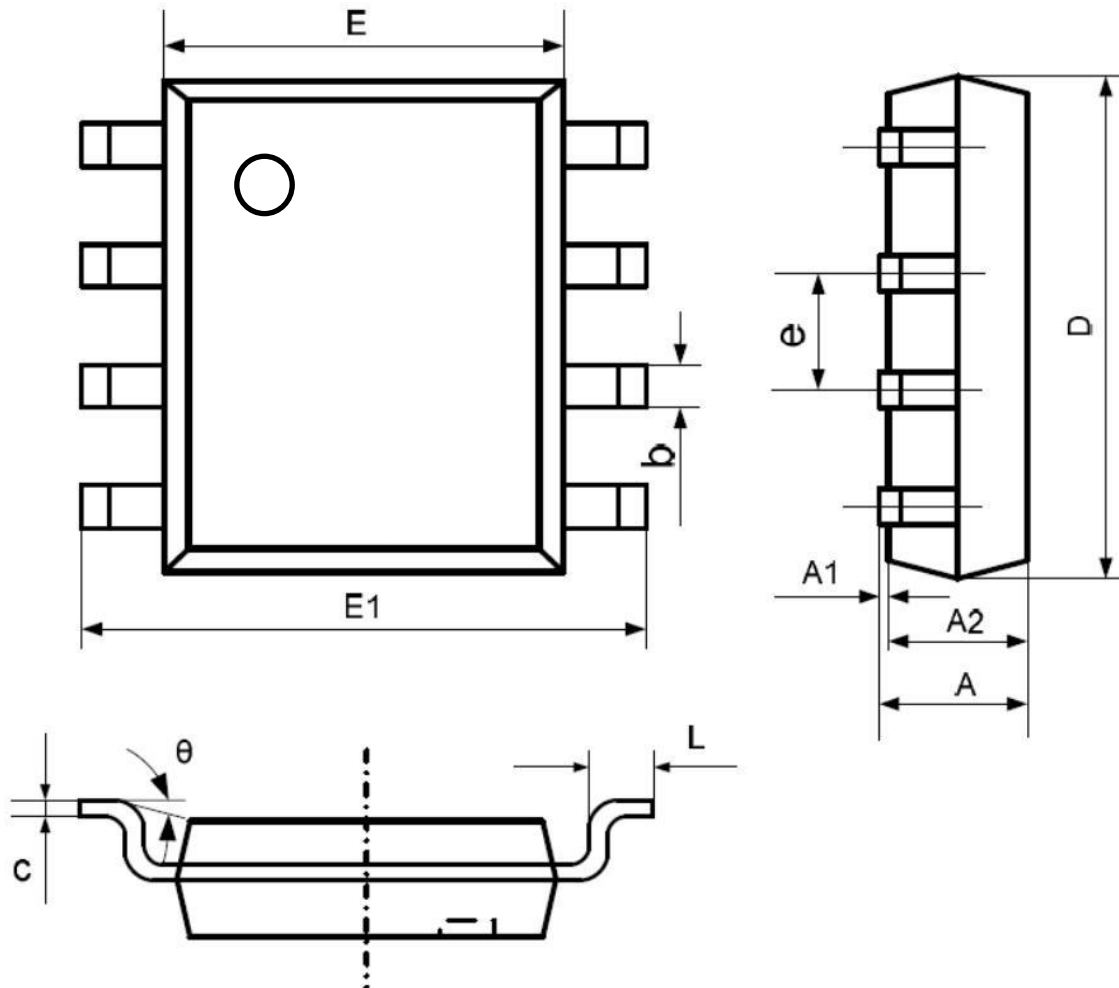
CEP5630 has a soft totem-pole gate driver with optimized EMI performance. An internal 16V clamp is added for MOSFET gate protection at higher than expected VDD input.

■ CHARACTERIZATION PLOTS



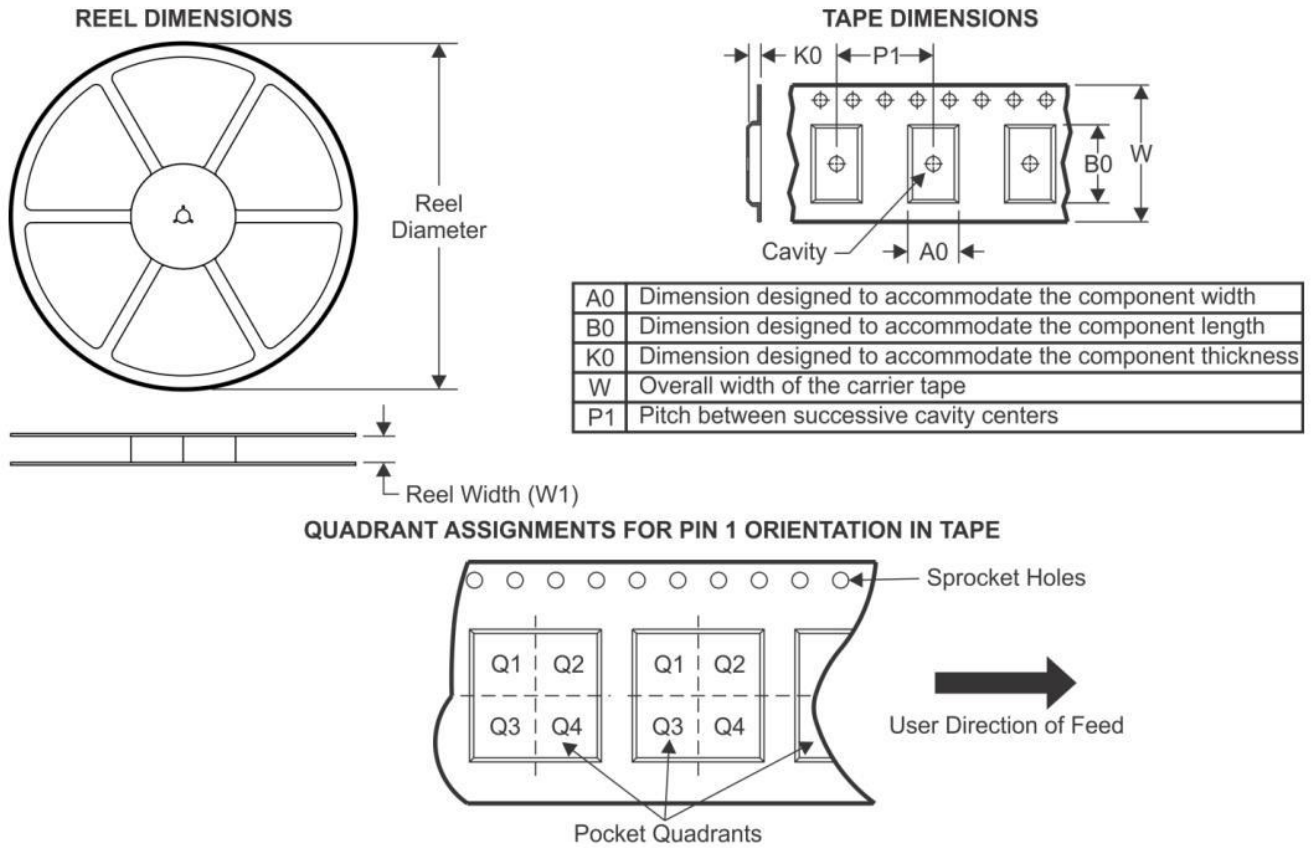
■ PACKAGE OUTLINE

SOP-8(SOP-7 covered) PACKAGE OUTLINE AND DIMENSIONS



SYMBOL	DIMENSION IN MILLIMETERS		DIMENSION IN INCHES	
	MIN	MAX	MIN	MAX
A	1.350	1.700	0.053	0.067
A1	0.000	0.100	0.000	0.004
A2	1.350	1.550	0.053	0.061
b	0.330	0.510	0.013	0.020
c	0.170	0.250	0.007	0.010
D	4.700	5.100	0.185	0.200
E	3.800	4.000	0.150	0.157
E1	5.800	6.200	0.228	0.244
e	1.270 TYP		0.050 TYP	
L	0.400	1.270	0.016	0.050
θ	0°	8°	0°	8°

■ TAPE AND REEL INFORMATION



*All dimensions are nominal

Device	Package Type	Package Drawing	Pins	SPQ	Reel Diameter (mm)	Reel Width W1 (mm)	A0 (mm)	B0 (mm)	K0 (mm)	P1 (mm)	W (mm)
CEP5630SP7	SOP-7	C5630	7	2500	330.0	12.8	6.4	5.2	2.5	8.0	12.0